

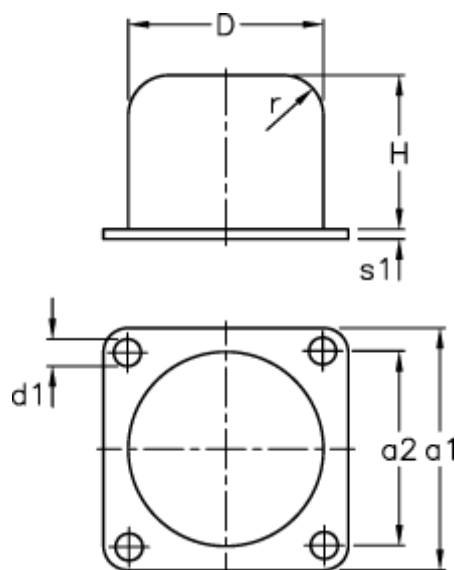
# Data Sheet



Article number: 51803328000010

Description: Vibration damper GP-QP 63x50  
NR shore 57

## Measures



a1	= 80	r = 12.5
a2	= 63	s1 = 4
D	= 63	
d1	= 6.5	
H	= 50	
Load capacity F (kN)	= 37.5	
Load capacity f (mm)	= 28	
Load capacity W (J)	= 280	